



FAILURE ANALYSIS REPORT

| | | | | | |
|-------------------------|---|----------------------|-------------------------|---|------------|
| CUSTOMER NAME | : | | RMA # | : | |
| CUSTOMER P/N | : | | RMATS # | : | |
| MANUFACTURE NAME | : | Artesyn Technologies | CUST. REF # | : | LSU0020877 |
| MANUFACTURE P/N | : | 7000977-Y000 | RVI WORK ORDER # | : | 378411 |
| FAILURE LOCATION | : | | DATE RECEIVED | : | 08-27-07 |

| UNIT INFORMATION | | | | |
|--------------------|-----------|----------|-----|--------------------|
| SERIAL NO. | DATE CODE | REVISION | QTY | REASON FOR RETURN |
| 0025838-0709108305 | 0709 | F | 1 | Functional Failure |

| CUSTOMER'S FAILURE DESCRIPTION |
|--------------------------------|
| Breaker AC1 Tripped |

| RVI VERIFICATION | |
|---------------------|----------------------------------|
| Failure symptom | Visual Inspection |
| AC1 Breaker Tripped | Solder splash across legs of Q12 |

FAILURE ANALYSIS

Investigation & Analysis

While powering unit up, AC1 tripped. No blown components visible, so checked into the trip coil circuit and found a solder splash on Q12. The solder splash was across the drain - source legs of Q12. This solder splash provided "48VIN -" or return potential to be applied to the trip coil connection, causing the breaker to trip when the "Fused 48V" was present.

| | | |
|------------------------------|---|--|
| Component Measurement | : | Solder splash on Q12 causing it to trigger the trip coil of AC1 breaker. |
| Component Failed | : | |

PROBABLE CAUSE

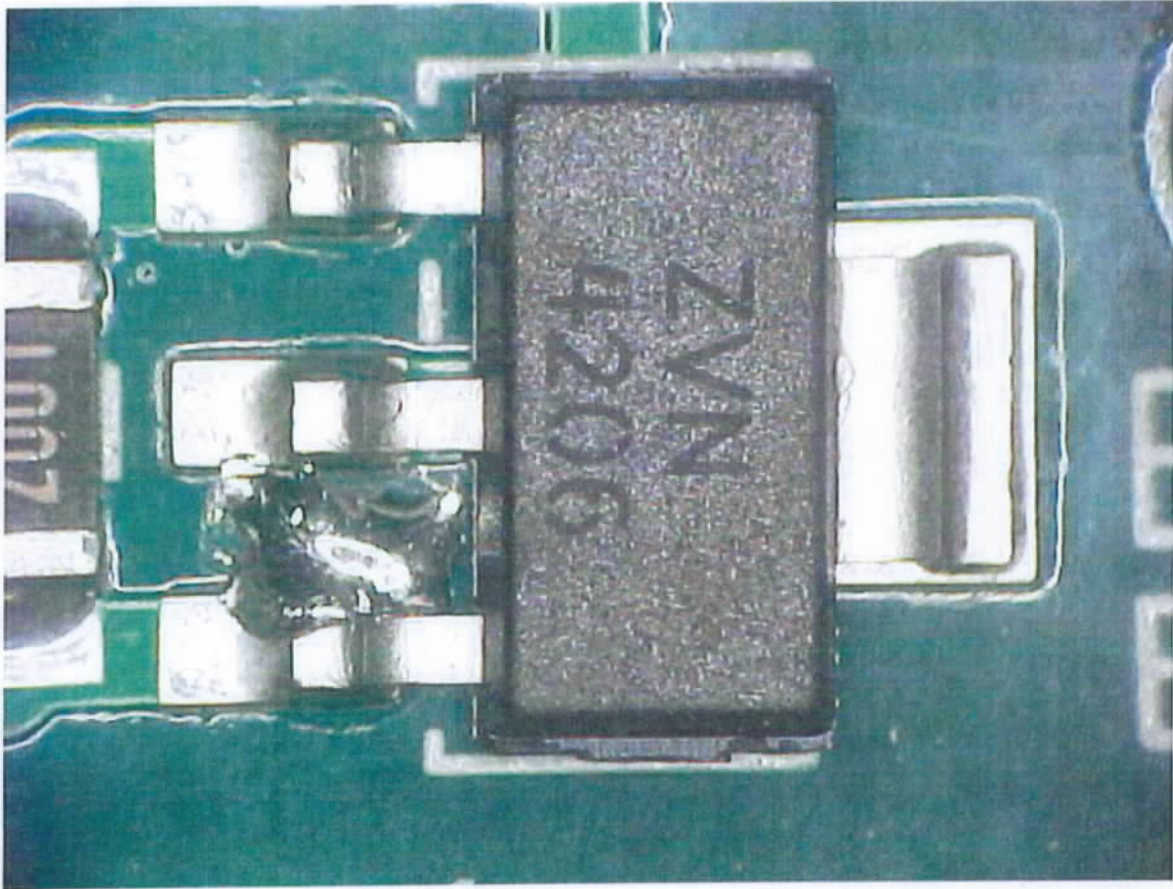
Workmanship issue from the factory.

| | | | | | | |
|------------------------------------|--------------------------|---|--|-------------------------|---|---|
| Classification of Failure : | Design Problem | : | | Workmanship | : | X |
| | Component Problem | : | | Handling Problem | : | |
| | Process Problem | : | | Others | : | |

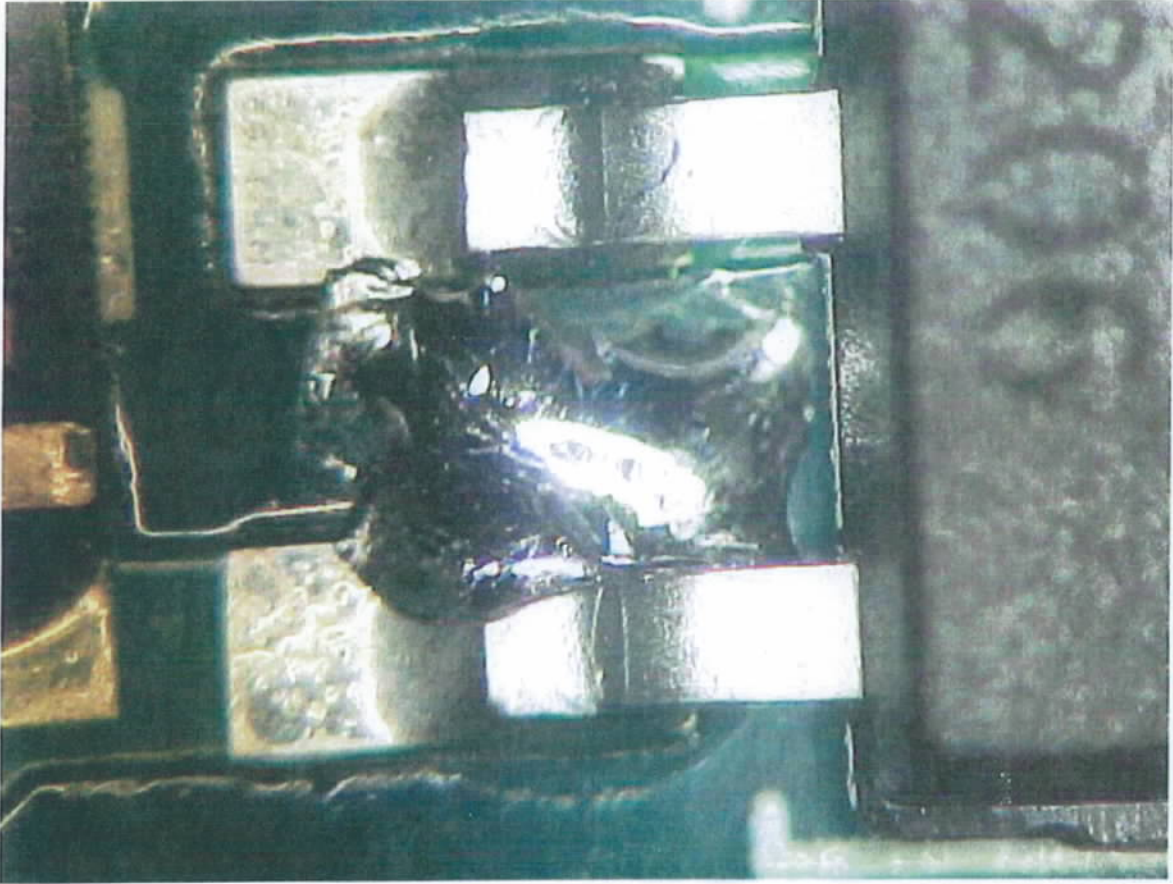
ATTACHMENT

4 Photos

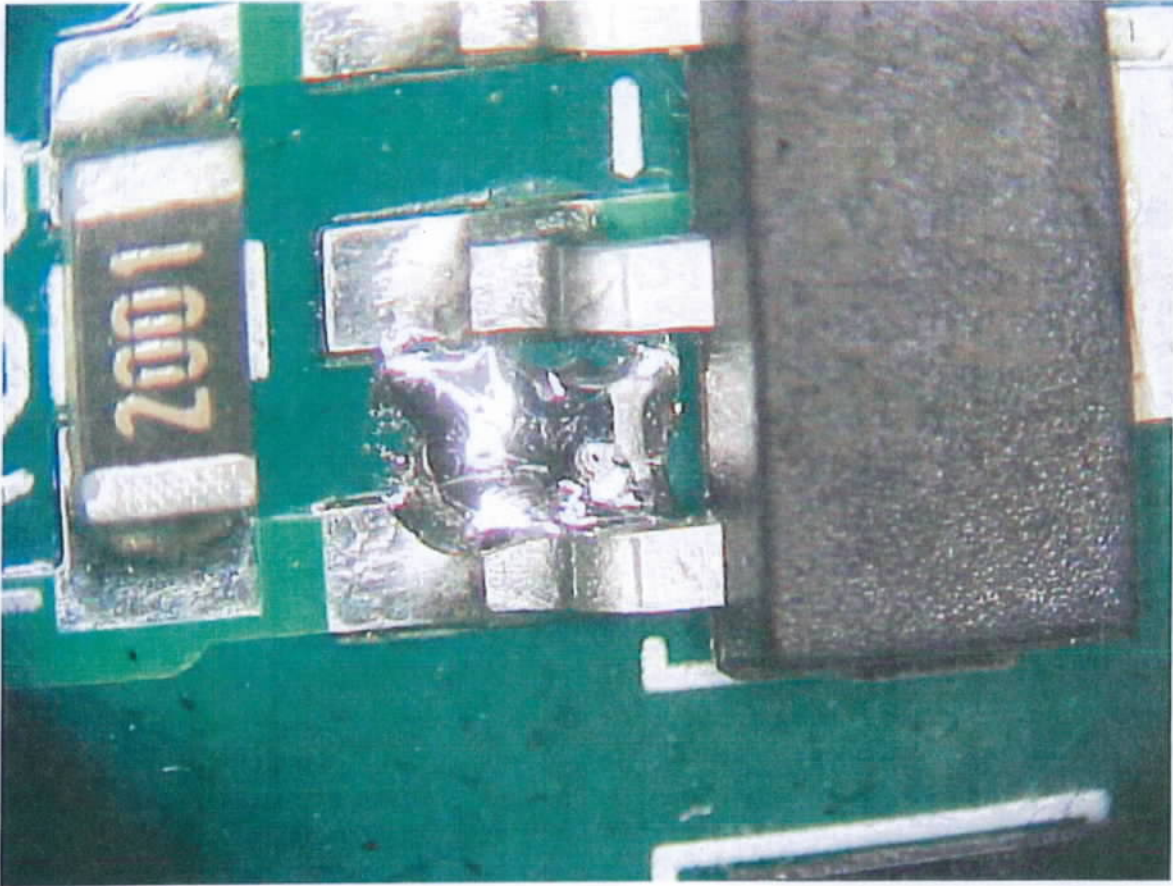
FAILURE ANALYSIS REPORT



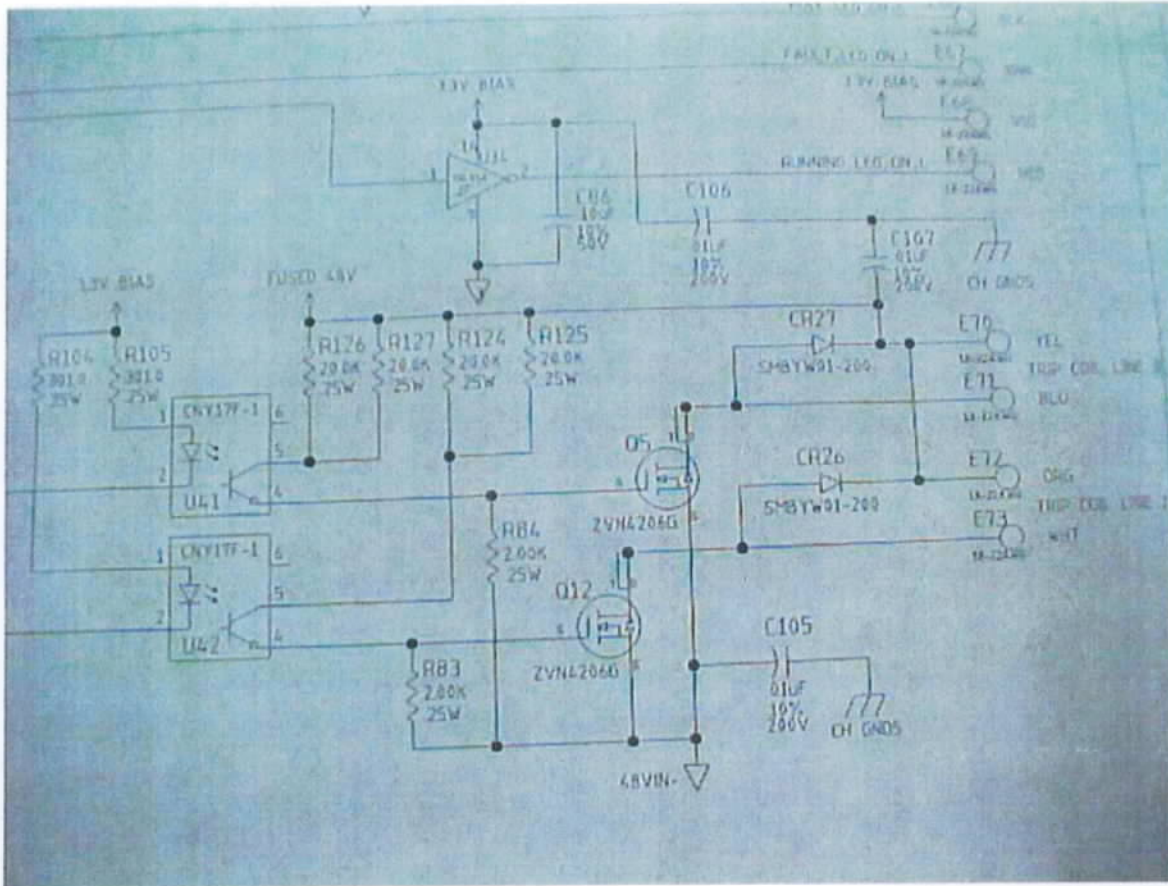
FAILURE ANALYSIS REPORT



FAILURE ANALYSIS REPORT



FAILURE ANALYSIS REPORT



| PREPARED BY : | REVIEWED BY : | APPROVED BY : |
|-------------------|---------------|--------------------|
| Chad Rosenberg | Doug Houle | Dan Schmid |
| Repair Technician | Engineer | Operations Manager |